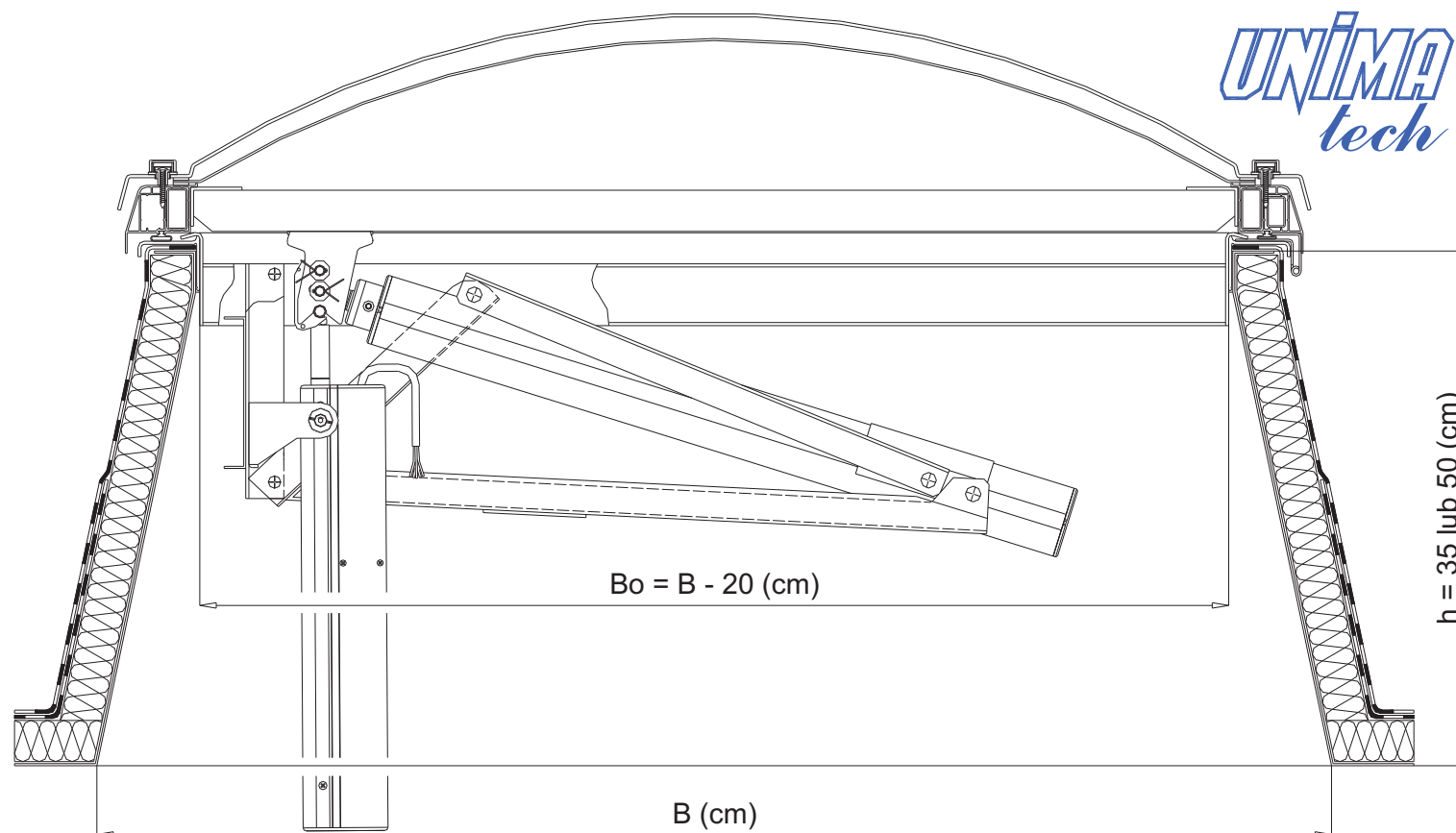


UNIMA
tech

| Bo x Lo (cm x cm) | B x L (cm x cm) |
|------------------------|----------------------|
| 80 x 80 | 100 x 100 |
| 80 x 130 | 100 x 150 |
| 80 x 180 | 100 x 200 |
| 80 x 220 | 100 x 240 |
| 80 x 230 | 100 x 250 |
| 90 x 90 | 110 x 110 |
| 100 x 100 | 120 x 120 |
| 100 x 130 | 120 x 150 |
| 100 x 160 | 120 x 180 |
| 100 x 190 | 120 x 210 |
| 100 x 200 | 120 x 220 |
| 100 x 220 | 120 x 240 |
| 100 x 230 | 120 x 250 |
| 120 x 120 | 140 x 140 |
| 130 x 130 | 150 x 150 |
| 130 x 160 | 150 x 180 |
| 130 x 190 | 150 x 210 |
| 130 x 220 | 150 x 240 |
| 130 x 230 | 150 x 250 |
| 140 x 140 | 160 x 160 |
| 150 x 150 | 170 x 170 |
| 160 x 160 | 180 x 180 |
| 160 x 190 | 180 x 210 |
| 160 x 220 | 180 x 240 |
| 160 x 230 | 180 x 250 |
| 180 x 180 | 200 x 200 |
| 200 x 200 | 220 x 220 |



rys. UPI 01-05 – KLAPA DYMOWA NA PODSTAWIE SKOŚNEJ
STEROWANIE ODDYMIANIEM – PNEUMATYCZNE
STEROWANIE PRZEWIETRZANIEM – ELEKTRYCZNE 230 V AC